

Model: HK-IP18-A12 Series

1.0 INTRODUCTION

This document specifies a switching power supply with a output of +12V, and electronic process. The switching power supply will provide power for technology equipments including electrical business equipment. The adaptor meets the requirement of lead free and RoHS.

2.0 INPUT REQUIREMENTS

2.1 Input Voltage Range: 100(-10%)VAC to 240(+10%)VAC

2.2 Input Frequency Range: 47 Hz to 63 Hz

2.3 Input Power Consumption at no-load : 0.5W MAX

2.4 Input In-rush Current: 50A Max

2.5 Input Current: 0.6A Max



3.0 OUTPUT REQUIREMENTS

3.1 Output Voltage: +12V

3.2 Output Regulation: 11.4V~12.6V

3.3 Output Load Range: 0~1.5A

3.4 Output Ripple & Noise: 120mV Max @20MHz BANDWIDTH WITH
22UF/50V CAPACITANCE AND 104/50V CERAMIC CAPACITOR.

4.0 EFFICIENCY: $\geq 76.01\%$ @AVERAGE OF 25/50/75/100% LOADS & 115 VAC INPUT

5.0 LINE REGULATION: 2% MAXIMUM

6.0 HOLD UP TIME: 10ms MIN AT 110VAC FULL LOAD.

7.0 TURN ON TIME: 2S MAX AT 110VAC FULL LOAD.

8.0 TEMPERATURE COEFFICIENT: 0.05%/°C

9.0 DIELECTRIC STRENGTH (Hi-Pot) TEST

9.1 Finished product withstands AC 3.0KV, for 2 second, 4mA max primary to secondary.

9.2 Finished product withstands AC 3.0KV, for 2 second, 4mA max primary to case.

10.0 INSULATION RESISTANCE

Primary to secondary: 50MOHM to 500VDC.

11.0 PROTECTION

11.1 Input Protection

The switching power supply has a 1 amps inner current fuse to protect itself.

11.2 Output Protection

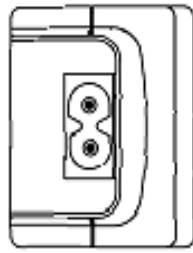
11.2.1 Output Current:

Overload conditions shall decrease the output current. Removal of an output
Overload shall provide automatic recovery for the output voltage.

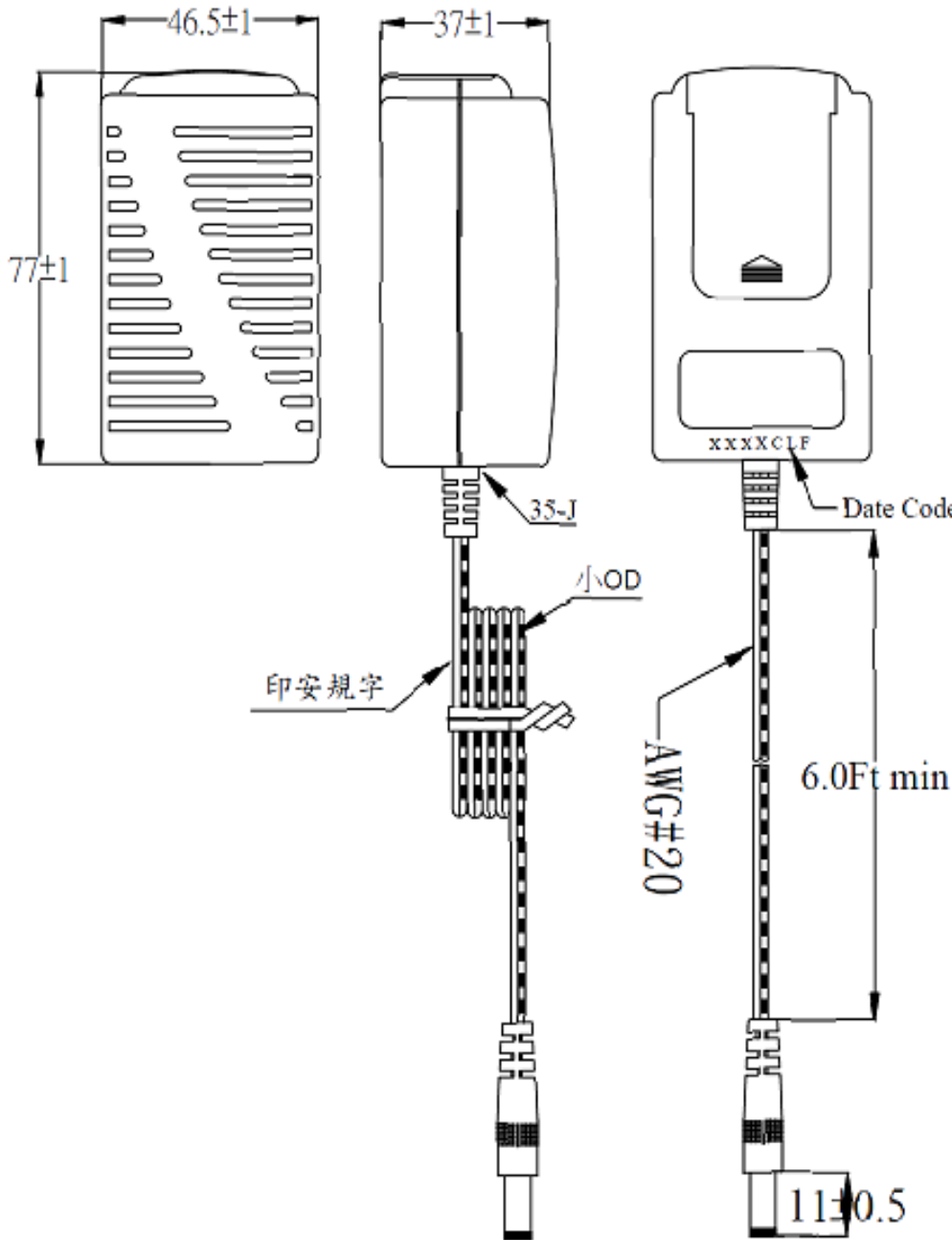
11.2.2 Short Circuit Protection: Auto Recovery.

OVERALL DRAWING

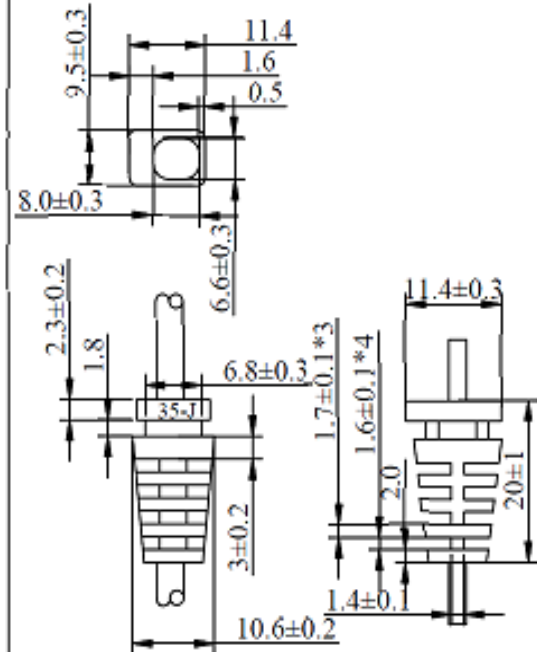
UNIT: mm



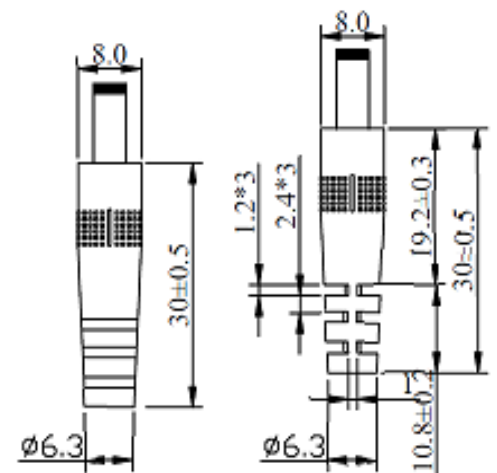
XXXXCLF
 month | year |
 made in China
 by Hon-kwang
 Lead Free



未注標尺寸公差: ±0.2

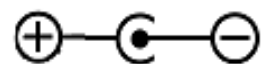


未注標尺寸公差: ±0.2



⊕ → $\phi 5.5 \pm 0.1$

⊖ → $\phi 2.1 \pm 0.1$



UNIT: mm

