

# Model: HK-IP15-A075 Series

## 1.0 INTRODUCTION

This document specifies a switching power supply with a output of +7.5V, and electronic process. The switching power supply will provide power for technology equipments including electrical business equipment. The adaptor meets the requirement of lead free and RoHS.

## 2.0 INPUT REQUIREMENTS

2.1 Input Voltage Range: 100(-10%)VAC to 240(+10%)VAC

2.2 Input Frequency Range: 47 Hz to 63 Hz

2.3 Input Power Consumption at no-load : 0.5W MAX

2.4 Input In-rush Current: 50A Max

2.5 Input Current: 0.6A Max



## 3.0 OUTPUT REQUIREMENTS

3.1 Output Voltage: +7.5V

3.2 Output Regulation: 7.0V-8.0V

3.3 Output Load Range: 0-2.0A

3.4 Output Ripple & Noise: 100mV Max @20MHz BANDWIDTH WITH  
22UF/50V CAPACITANCE AND 104/50V CERAMIC CAPACITOR.

4.0 EFFICIENCY:  $\geq 74.37\%$  @ AVERAGE OF 25/50/75/100% LOADS & 115/230VAC INPUT

5.0 LINE REGULATION: 2% MAXIMUM

6.0 HOLD UP TIME: 10ms MIN AT 110VAC FULL LOAD.

7.0 TURN ON TIME: 2S MAX AT 110VAC FULL LOAD.

8.0 TEMPERATURE COEFFICIENT: 0.05%/°C

## 9.0 DIELECTRIC STRENGTH (Hi-Pot) TEST

9.1 Finished product withstands AC 3.0KV, for 2 second, 4mA max primary to secondary.

9.2 Finished product withstands AC 3.0KV, for 2 second, 4mA max primary to case.

## 10.0 INSULATION RESISTANCE

Primary to secondary: 50MOHM to 500VDC.

## 11.0 PROTECTION

### 11.1 Input Protection

The switching power supply has a 1 amps inner current fuse to protect itself.

### 11.2 Output Protection

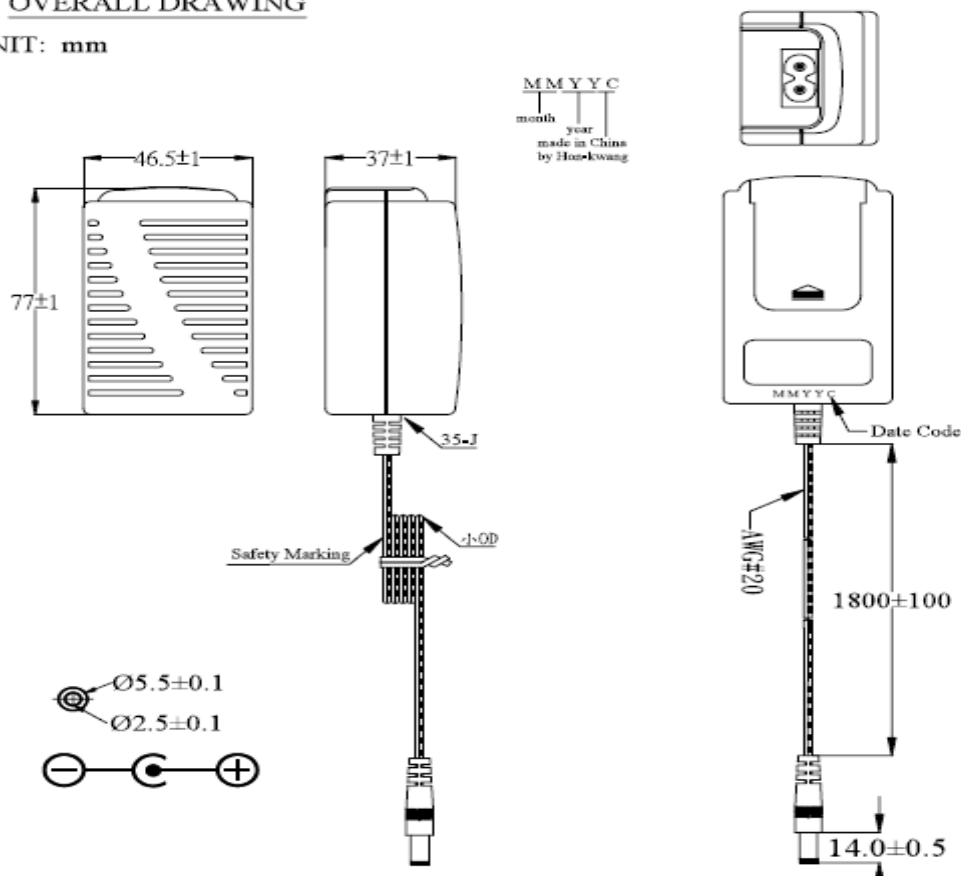
#### 11.2.1 Output Current:

Overload conditions shall decrease the output voltage. Removal of an output Overload shall provide automatic recovery for the output voltage.

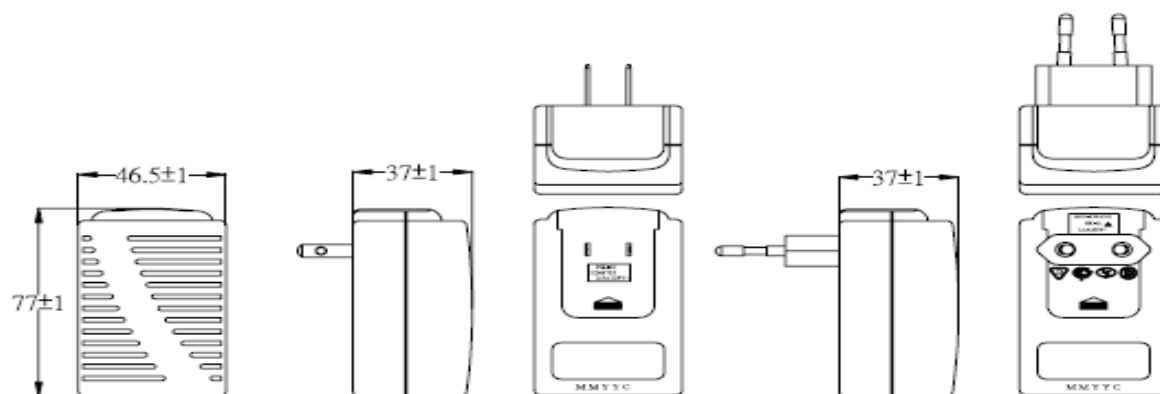
#### 11.2.2 Short Circuit Protection: Auto Recovery.

### OVERALL DRAWING

UNIT: mm



UNIT: mm



## USE SPECIFICATION

