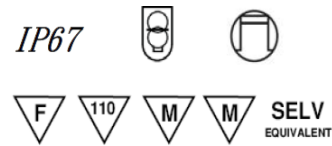


Model: GP-LS070P Series / LED Driver

Approvals :



Features:

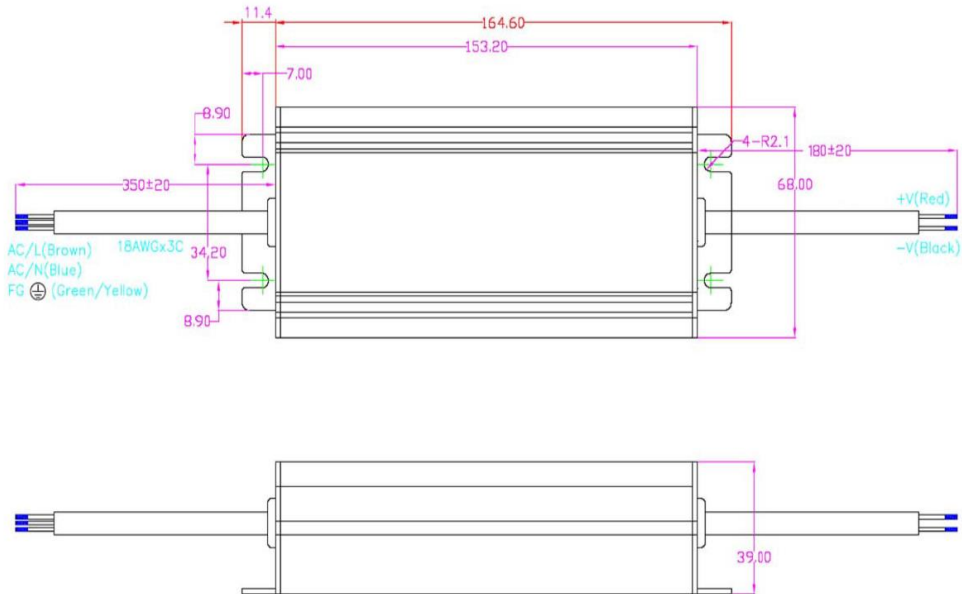
- * Universal AC input 90-305 Vac.
- * Constant Voltage / Constant Current Operation.
- * Suitable for LED lighting applications.
- * Built-in ACTIVE PFC Function.
- * Protections: OCP / SCP / OTP.
- * IP67 Level design for indoor or outdoor installations.
- * Cooling by free air convection.

Size : 176 * 68 * 39 mm (L*W*H)

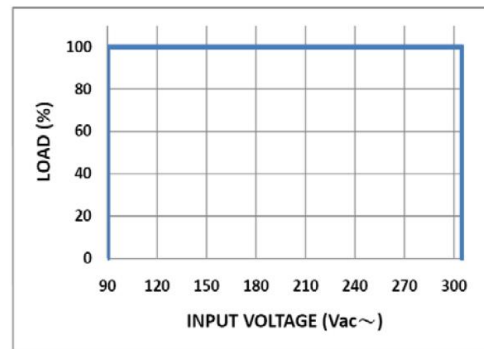
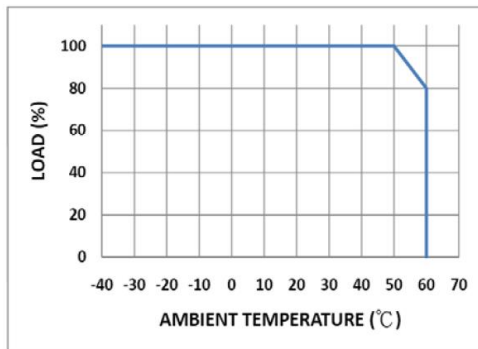
Specifications:

Model No.		GP-LS070P-12	GP-LS070P-24	GP-LS070P-30	GP-LS070P-36	GP-LS070P-48	GP-LS070P-54
Output	DC Voltage Range Note. 2	8.5 - 12V	19 - 24V	22 - 30V	26 - 36V	35 - 48V	37 - 54V
	Rated Current	4.9A	3.15A	2.45A	2.1A	1.4A	1.4A
	Current Tolerance	+5%, -5%	+5%, -5%	+5%, -5%	+5%, -5%	+5%, -5%	+5%, -5%
	Rated Power	58.8W	75.6W	73.5W	75.6W	67.2W	75.6W
	Ripple&Noise(Max.) Note. 3	2.5V	3.0V	3.2V	4.0V	4.5V	5.0V
	Efficiency at 230Vac(Typ.)	84%	86%	87%	88%	88%	88%
	Voltage Tolerance	10%	10%	10%	10%	10%	10%
Set up time (Max.)	2000ms at 115Vac / 1000ms at 230Vac at full load.						
Input	Voltage Range	90 - 305Vac / 127 - 431Vdc					
	Frequency Range	47 Hz - 63 Hz					
	AC Current (Max.)	1.2A at 115Vac / 0.6A at 230Vac					
	Power Factor	>0.98 at 115Vac / ≥0.94 at 230Vac at full load.					
	Inrush Current (Max.)	65A at 230Vac (COLD STAR)					
	Leakage Current	0.5mA at 230Vac/50Hz					
Protections	Over Current	95-108% rated current. Type: Constant current limit and recovers after fault condition disappeared.					
	Short Circuit	Type: Hiccup mode & recovers after fault condition disappeared.					
	Over Temperature	Tcase: 100°C ±10°C Type: Shut down output voltage & recovers after fault condition disappeared.					
Environment	Operation Temp.	-40 - 60°C at Full Load. (Refer to output load derating curve)					
	Operation Humidity	10% - 100% RH non-condensing.					
	Storage Temp.	-40 - +80°C					
	Storage Humidity	5% - 100% RH					
Safety & EMC	Vibration	10-500 Hz, 2G 10 min./1 cycle, period for 60 min. each along X, Y, Z axes.					
	Safety Standards	Meet UL8750, EN61347-1, EN61347-2-13, IP67					
	Withstand Voltage	I/P-O/P: 3.75KVAC I/P-FG:1.88KVAC O/P-FG:0.5KVAC					
	Isolation Resistance	I/P - O/P, I/P - FG, I/P - FG: 100M ohms / 500VDC at 25 °C					
	EMI Conduction & Radiation	Compliance to EN55015, FCC part 18					
Others	Harmonic Current	Compliance to EN61000-3-2 Class C (≥75% Load), EN61000-3-3					
	EMS Immunity	Compliance to EN61000-4-2, 3, 4, 5, 6, 8, 11 Light industry level, criteria A					
	MTBF	TBD					
Note	Dimension(L*W*H)	176 * 68 * 39 mm					
	Packing(L*W*H)/Carton	600 * 300 * 200mm / 20PCS					
	Weight	0.83Kg					
Note	1.	All specifications not specially mentioned are measured at 230Vac and 25 °C ambient temperature.					
	2.	The range is for constant current application.					
	3.	Ripple & Noise are measured at 20MHz bandwidth by using a 12" twisted pair-wire terminated with 0.1uf & 47uf parallel capacitor.					

Mechanical Specification:



Derating Curve:



Constant Voltage / Constant Current Curve:

