



Features:

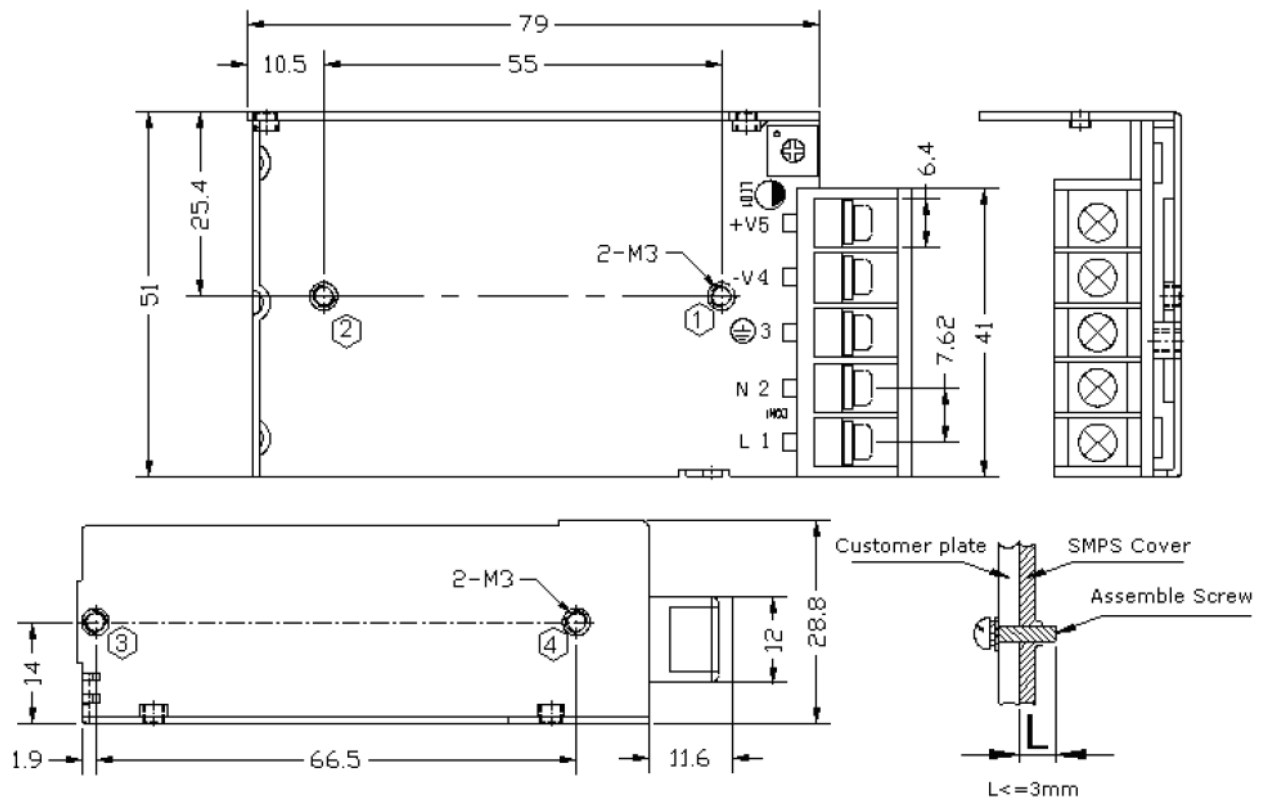
- > No Load power consumption<0.5W
- > Universal AC input range(90~264Vac)
- > High efficiency, long life and high reliability
- > Withstand 300VA surge input for 5 sec.
- > Output protections: OPP/OLP/SCP
- > Wide operating ambient temp (-20°C~70°C)
- > All using 105°C long life electrolytic capacitors.
- > 100% full load burn-in test
- > PCB soldering side with conformal coating
- > Suitable for critical applications
- > 3 years warranty

SPECIFICATION

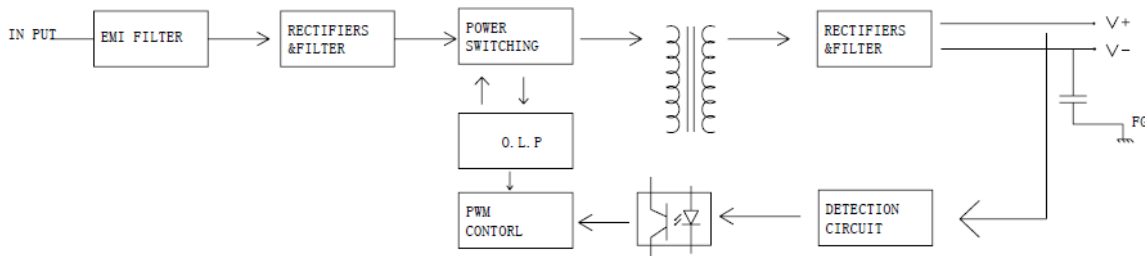
MODEL	ABS-15-5		ABS-15-12	ABS-15-24		
OUTPUT	DC Output	5V		12V	24V	
	Rated Current	3A		1.3A	0.7A	
	Current Range	Note 1	0~3A		0~1.3A	0~0.7A
	Ripple and Noise	0~70°C	<50mV		<120mV	<120mV
		Note 2	-20°C		<150mV	<200mV
	Voltage ADJ. Range	4.75V-5.25V		11.4V-12.6V	22.8V-25.2V	
	Voltage Accuracy	±2.0%		±1.0%	±1.0%	
	Line Regulation	±0.5%		±0.5%	±0.5%	
	Load Regulation	±1.5%		±0.5%	±0.5%	
	Set-up Time	≤2S /115Vac input, Full load) ; ≤1S /230Vac input, Full load)				
	Hold up Time	≥10mS(115Vac input, Full load) ; ≥20mS(230Vac input, Full load)				
	Temperature Coefficient	±0.03%/°C				
	Overshoot and Undershoot	<5.0%				
INPUT	Voltage Range	90Vac~264Vac				
	Frequency Range	47Hz~63Hz				
	Efficiency (Typical)	≥76%		≥80%	≥83%	
	AC Current (max.)	<0.7 A				
	Inrush Current (Typical)	< 65A@230Vac Cold start				
	Leakage Current	Input—output:<0.25mA		Input—PG:<3.5mA		
PROTECTION	Over Load	3.15~4.5A Hiccup, auto recovery		1.36~1.95 A Hiccup, auto recovery	0.73~1.05 A Hiccup, auto recovery	
	Over power	15.75~22.5W Hiccup, Auto recovery		16.38~23.4W Hiccup, auto recovery	17.64~25.2W Hiccup, auto recovery	
	Shorted Circuit	Long-term mode, auto recovery				
ENVIRONMENT	Operating amb. Temp. & Hum.	-25°C~70°C; 20%~90%RH No condensing				
	Storage Temp. & Hum.	-40°C~85°C; 10%~95%RH No condensing				
SAFETY & EMC Note 3	Safety Standards	UL60950-1 2 nd Ed; IEC 60950-1:2005(2 nd Ed) ;EN60950-1:2006				
	Withstand Voltage	Primary-Secondary:3.0KVac; ≤10mA .Primary-PG:1.5KVac; ≤10mA. Secondary-PG:0.5KVDC;≤10mA.				
	Isolation Resistance	≥100M ohms				
	EMC Emission	Compliance to EN55022 Class B				
	Harmonic Current	Compliance to EN61000-3-2, Class D				
OTHERS	EMC Immunity	Compliance to EN61000-4-2,3,4,5,6,8,11;EN55024,EN61000-6-2 heavy industry level				
	MTBF (MIL-HDBK-217F)	More than 200,000Hrs (25°C, Full load)				
	Dimension (L*W*H)	79×51×28.8mm				
	Packing	48PCS/CTN, 10.5KGS, 0.03CBM				
NOTE	Cooling method	Cooling by free air convection				
		1. All parameters NOT specially mentioned are measured at rated input, rated load and 25°C of ambient temperature. 2. Measured at 20MHz of bandwidth by using a 12" twisted pair-wire terminated with a 0.1 uF & 10uF parallel capacitor. 3. The SPS is considered a component which will be installed into final equipment. The equipment must be re-confirmed that it still meets EMC directives. 4. Powerld offer accessories for Din-35 rail bar. Please contact sales staff for details.				

Mechanical Specification

Unit: mm



Block Diagram



Derating Curve

