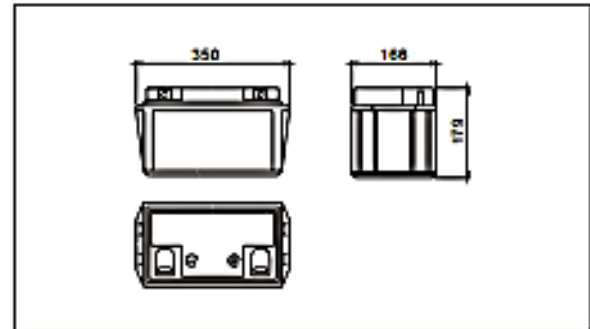


BT-12-65 (12V 65AH)



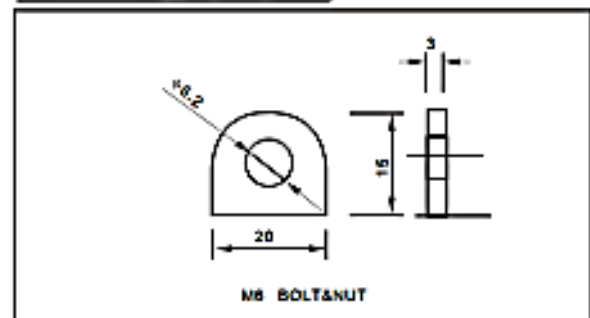
Outer dimensions (mm)



Specifications

Nominal Voltage		12V
Rated capacity (10 hour rate)		65 Ah
Dimensions	Total Height	179 mm (7.05 inches)
	Height	179 mm (7.05 inches)
	Length	350 mm (13.8 inches)
	Width	166mm (6.54 inches)
Weight Approx		22 Kg (48.5 lbs)

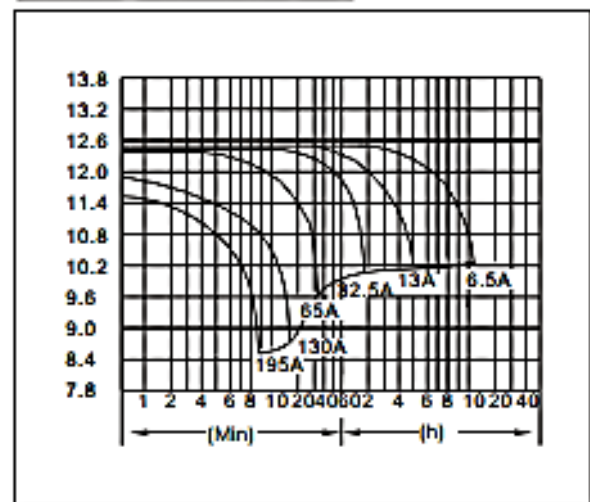
Terminal Type (mm)



Characteristics

Capacity 25°C(77°F)	10 hour rate(6.5 A)	65 AH
	5 hour rate(10.4 A)	52 AH
	1 hour rate(39.0 A)	39 AH
	1.5 hour discharge to 10.5V	26 A
Internal Resistance	Full charged Battery at 25°C(77°F)	5 mΩ
Capacity affected by Temperature (10hour rate)	40°C(104°F)	102%
	25°C(77°F)	100%
	0°C(32°F)	85%
	-15°C(5°F)	65%
Self-Discharge at 25°C(77°F)	Capacity after 3 month storage	91%
	Capacity after 6 month storage	82%
	Capacity after 12 month storage	64%
Terminal	T8, T16	
Charge (constant Voltage)	Cycle	Initial Charging Current less than 26 A Voltage 14.10-14.40V
	Float	Voltage 13.50-13.80V

Discharge Curves 25°C(77°F)



Time		5min	10min	15min	30min	1h	2h	3h	4h	5h	8h	10h	20h
9.60V	A	241	176	124	75	39	23	16.7	13.0	10.7	7.6	6.8	3.69
	W	2554	1864	1312	794	452	263	193	151	124	88	79	42.7
10.20V	A	212	160	111	70.9	36.7	21.7	16.3	12.7	10.5	7.4	6.7	3.59
	W	2352	1775	1227	786	425	251	188	147	122	86	77	41.6
10.50V	A	204	152	104	69	35	21.2	15.9	12.5	10.4	7.3	6.5	3.55
	W	2314	1725	1179	781	411	245	184	145	120	85	76	41.1
10.80V	A	196	144	98	67	34	20.7	15.5	12.3	10.1	7.2	6.5	3.51
	W	2285	1680	1135	779	399	241	180	142	118	83	76	40.9
11.10V	A	189	137	91	65	33	20.2	15.0	11.9	9.9	7.0	6.18	3.33
	W	2243	1624	1083	774	394	240	178	141	118	83	73	39.7