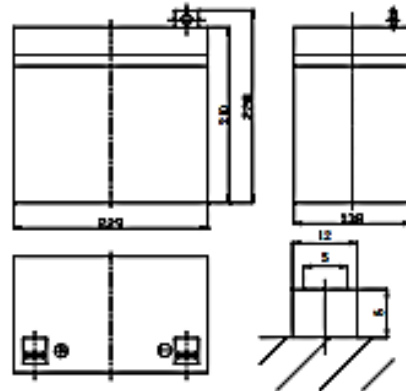


BT-12-55G (12V 55AH)



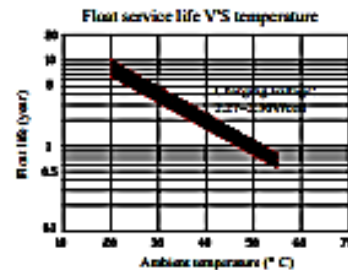
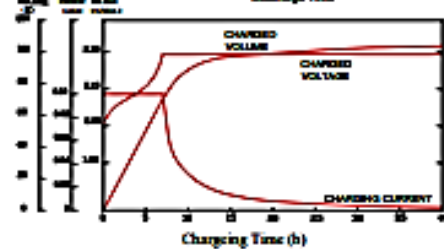
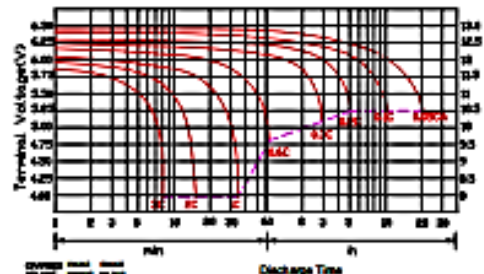
● Specifications

Nominal Voltage		12V
Rated Capacity		55Ah
Dimensions	Total Height	8.98inches (228mm)
	Height	8.27inches (210mm)
	Length	9.02inches (229mm)
	Width	5.43inches (138mm)
Approximate Weight		37.48 lbs. (17kg)

● Characteristic

Capacity 77°F(25°C)	20h rate	57.8Ah
	10h rate	55.0Ah
	5h rate	46.8Ah
	1h rate	33.0Ah
	15 min rate	23.0Ah
Internal Resistance	Full Charged Battery 77°F(25°C)	Approx. 5.8m Ω
Capacity Affected by Temperature (20h rate)	104°F(40°C)	102%
	77°F(25°C)	100%
	32°F(0°C)	85%
	5°F(-15°C)	65%
Self-Discharge 68°F(20°C) (Capacity after)	3 month storage	90%
	6 month storage	80%
	12 month storage	60%
Max. Discharge Current 77°F(25°C)	550A(5s)	
Terminal	T5/T12	
Charge (Constant Voltage, 25°C)	Cycle	14.4-14.7V(-24mV/°C) max. current: 16.5A
	Float	13.6-13.8V(-18mV/°C)

DISCHARGE CHARACTERISTICS AT 25° C(77° F)



Constant Current Discharge Characteristics (A, 25°C)

F.V/TIME	5min	10min	15min	30min	60min	3h	5h	10h	20h
9.60V	180	130	100	62.0	36.0	14.7	10.0	5.58	2.89
10.2V	171	124	96.0	59.5	34.6	14.5	9.9	5.53	2.88
10.5V	161	116	91.2	56.5	32.8	14.2	9.7	5.50	2.85

Constant Wattage Discharge Characteristics (Watt, 25°C)

F.V/TIME	5min	10min	15min	30min	60min	3h	5h	10h	20h
9.60V	1890	1404	1098	696	410	173	118	66.6	34.6
10.2V	1796	1334	1054	668	394	171	117	66.0	34.6
10.5V	1688	1254	1001	634	374	167	115	65.7	34.2