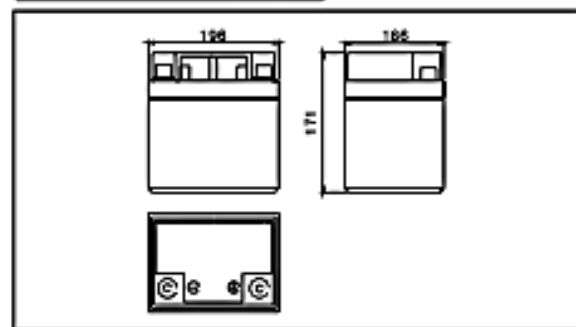


BT-12-40 (12V 40AH)



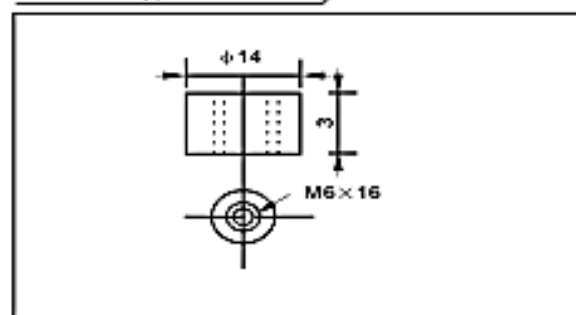
● Outer dimensions (mm)



● Specifications

Nominal Voltage		12V
Rated capacity (10 hour rate)		40 Ah
Dimensions	Total Height	171 mm (8.73 inches)
	Height	171 mm (8.73 inches)
	Length	198 mm (7.70 inches)
	Width	166mm (6.54 inches)
Weight Approx		14 Kg (30.9 lbs)

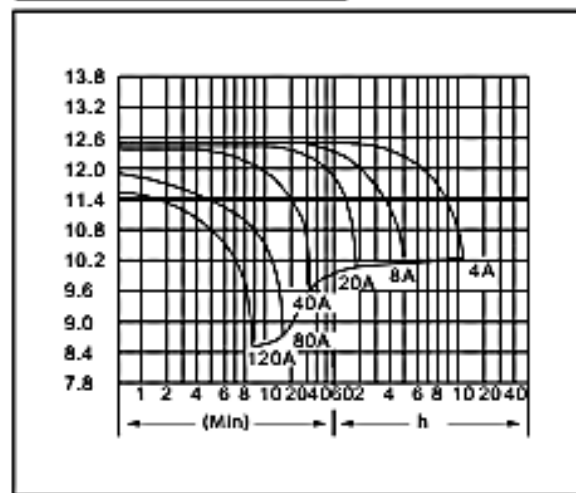
● Terminal Type (mm)



● Characteristics

Capacity 25°C(77°F)	10 hour rate(4.0A)	40.0AH
	5 hour rate(6.4 A)	32.0AH
	1 hour rate(24A)	24.0AH
	1.5 hour discharge to 10.5V	16 A
Internal Resistance	Full charged Battery at 25°C(77°F)	9 mΩ
Capacity affected by Temperature (10hour rate)	40°C(104°F)	102%
	25°C(77°F)	100%
	0°C(32°F)	85%
	-15°C(5°F)	65%
Self-Discharge at 25°C(77°F)	Capacity after 3 month storage	91%
	Capacity after 6 month storage	82%
	Capacity after 12 month storage	64%
Terminal		T7, T16
Charge (constant Voltage)	Cycle	Initial Charging Current less than 16.0 A Voltage 14.10-14.40V
	Float	Voltage 13.50-13.80V

● Discharge Curves 25 °C(77 °F)



Time	5min	10min	15min	30min	1h	2h	3h	4h	5h	8h	10h	20h
9.60V	A	148	108	76	46	24	14	10.3	8.0	6.6	4.7	2.27
	W	1572	1147	807	489	278	162	119	93	76	54	26.3
10.20V	A	130	98	68	43.6	22.6	13.4	10.0	7.8	6.5	4.6	2.21
	W	1447	1092	755	484	261	155	116	90	75	53	25.6
10.50V	A	126	94	64	42	22	13.0	9.8	7.7	6.4	4.5	2.18
	W	1424	1061	726	481	253	151	113	89	74	52	25.3
10.80V	A	121	89	60	41	21	12.7	9.5	7.6	6.2	4.4	2.16
	W	1406	1034	698	480	246	148	111	87	73	51	25.1
11.10V	A	116	84	56	40	20	12.4	9.2	7.3	6.1	3.80	2.05
	W	1380	1000	666	476	243	148	109	87	72	45	24.4