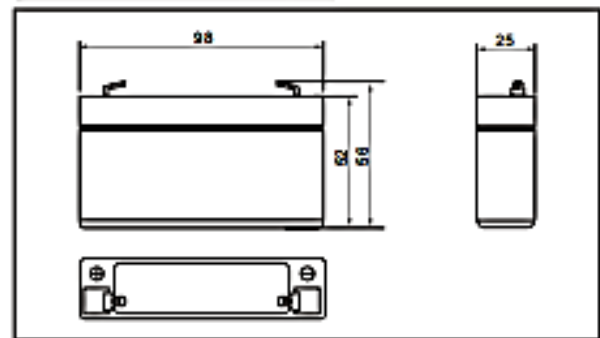


## BT-6-1.3 (6V 1.3AH)



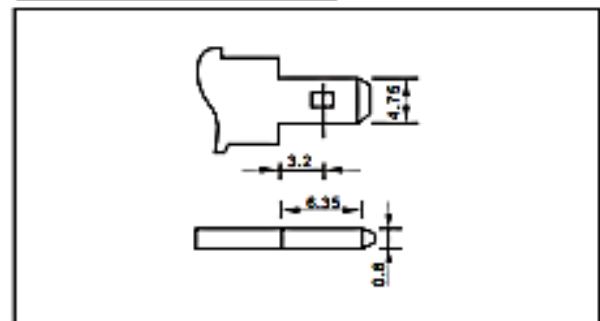
### Outer dimensions (mm)



### Specifications

Nominal Voltage		6 V
Rated capacity (20 hour rate)		1.3 Ah
Dimensions	Total Height	58mm (2.20 inches)
	Height	52mm (2.05 inches)
	Length	98mm (3.86 inches)
	Width	25 mm (0.98 inches)
Weight Approx		0.30 Kg (0.66 lbs)

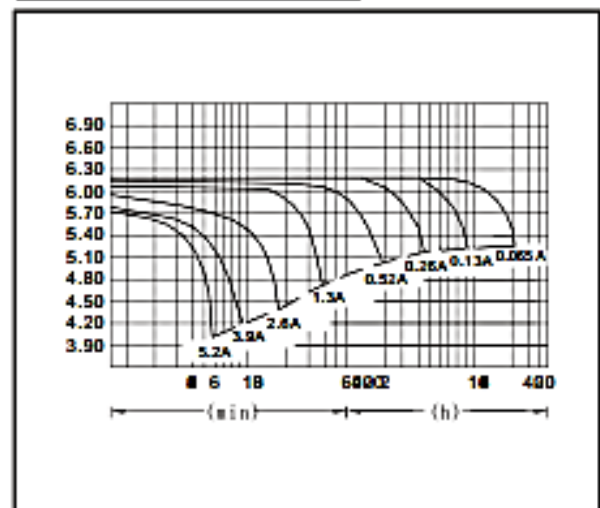
### Terminal Type (mm)



### Characteristics

Capacity 25°C (77°F)	20 hour rate(0.065A)	1.30 AH
	10 hour rate(0.12 A)	1.20 AH
	5 hour rate(0.22A)	1.10 AH
	1 hour rate(0.78A)RC	0.78 AH
	1.5 hour discharge to 5.25 V	0.52 A
Internal Resistance	Full charged Battery at 25°C (77°F)	37 mΩ
Capacity affected by Temperature (20hour rate)	40°C (104°F)	102%
	25°C (77°F)	100%
	0°C (32°F)	85%
	-15°C (5°F)	65%
Self-Discharge at 25°C (77°F)	Capacity after 3 month storage	91%
	Capacity after 6 month storage	82%
	Capacity after 12 month storage	64%
Terminal	T1	
Charge (constant Voltage)	Cycle	Initial Charging Current less than 0.52 A Voltage 7.05-7.20V
	Float	Voltage 6.75-6.90V

### Discharge Curves 25 °C (77°F)



Time	5min	10min	15min	30min	1h	2h	3h	4h	5h	8h	10h	20h	
4.80V	A	5.20	3.51	2.47	1.50	0.78	0.46	0.33	0.27	0.23	0.15	0.12	0.067
	W	27.6	18.6	13.1	7.9	4.5	2.6	1.94	1.55	1.32	0.87	0.71	0.39
5.10V	A	4.68	3.20	2.22	1.42	0.73	0.44	0.33	0.26	0.22	0.15	0.12	0.067
	W	26.0	17.7	12.3	7.9	4.2	2.5	1.88	1.51	1.29	0.86	0.70	0.38
5.25V	A	4.43	3.04	2.08	1.38	0.71	0.43	0.32	0.25	0.22	0.15	0.12	0.065
	W	25.1	17.2	11.8	7.8	4.1	2.5	1.85	1.43	1.29	0.85	0.69	0.38
5.40V	A	4.12	2.88	1.95	1.34	0.68	0.42	0.31	0.24	0.21	0.14	0.12	0.063
	W	23.9	16.7	11.3	7.8	4.0	2.4	1.83	1.41	1.23	0.81	0.68	0.37
5.55V	A	3.90	2.73	1.82	1.30	0.66	0.41	0.30	0.24	0.20	0.14	0.11	0.062
	W	23.2	16.2	10.8	7.7	3.9	2.4	1.77	1.41	1.20	0.79	0.66	0.37