

## 18 Channels output CCTV power supply

### CCTV 18CH AC



#### ■ Features

- ⚡ Four 24VAC individually fused outputs
- ⚡ Circuit Short protection
- ⚡ High-temperature protection
- ⚡ AC power LED indicator
- ⚡ Individual LED's for each output
- ⚡ Power ON/OFF switch
- ⚡ Unit maintains camera synchronization
- ⚡ Easy installation saves time and eliminates costly labor
- ⚡ Spare fuses included
- ⚡ 1 year warranty

Input Voltage	AC200-240V
Input Voltage Frequency	50/60Hz
Output Specification	
Output Voltage	24 VAC+10%
Total Output Current	10A(500mA/output,18channels for 18 sets security cameras)
Total Outputs	240W
Fuse Type	Glass Fuse
Fuse Rating	0.5 Amps / 250VAC
Protection	
General Protection	each output has individual fuse and LED indicator, when problem occurs,only affect the individual output, other outputs still working
Circuit Short Protection	when short condition occurs, individual fuse will open the circuit,when condition removed, replacing another new fuse will back to close.
High-temperature protection	135°COutput shutdown
Over-voltage protection	No
General Specifications	
Working temperature and humidity	-10°C~+60°C 20%~80%RH
Store temperature and humidity	-20°C~+85°C10%~90%RH
Application	
CCTV	Camera, PTZ, IR Illuminators, Video Process Equipment, etc.

## 18 Channels output CCTV power supply

### CCTV 18CH AC

Shape and installation dimension

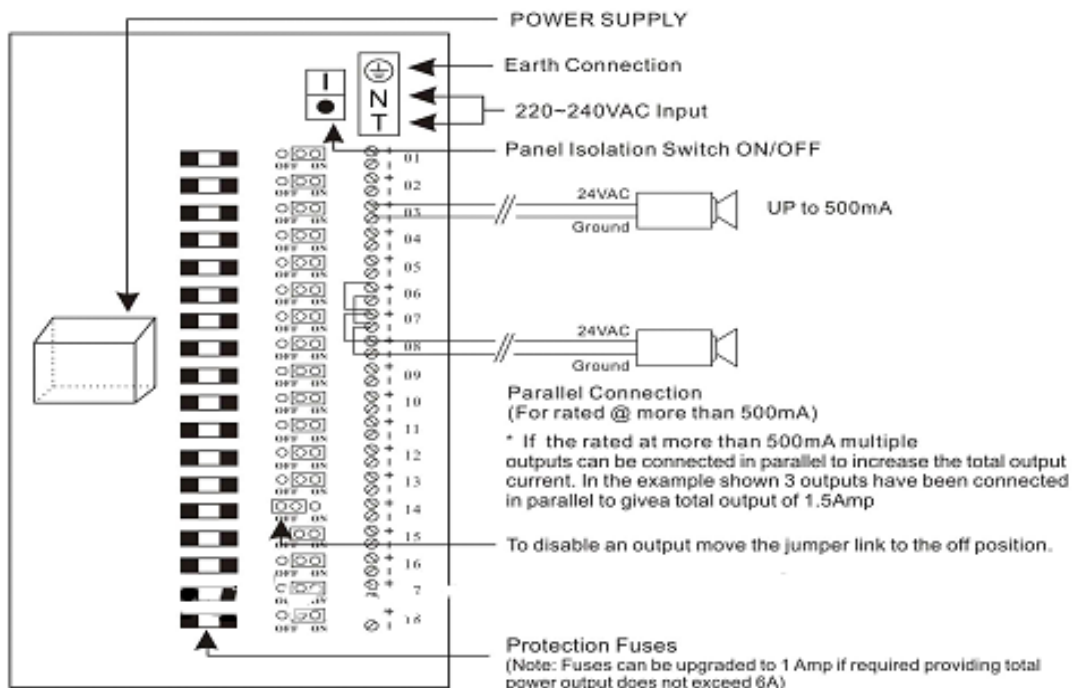


Manual

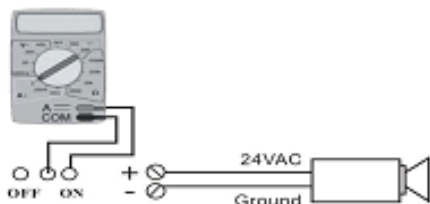
### 24V AC 18 OUTPUT POWER SUPPLY

**MPS-240-18B**

Connection Diagram:



Test & Measurement:



To determine the current(A), remove the jumper link, set your meter to ~A Amps AC, and with the Load connected measure the current across in ON and COMMON terminals.

Specifications:

Input Voltage: 220-240VAC  
Output Current: 18 X 500mA fused outlets (10A Max)  
Output Power: 240W  
Dimensions(mm):310(L) X 200(W) X 80 (D)

\* For Indoor Use Only