



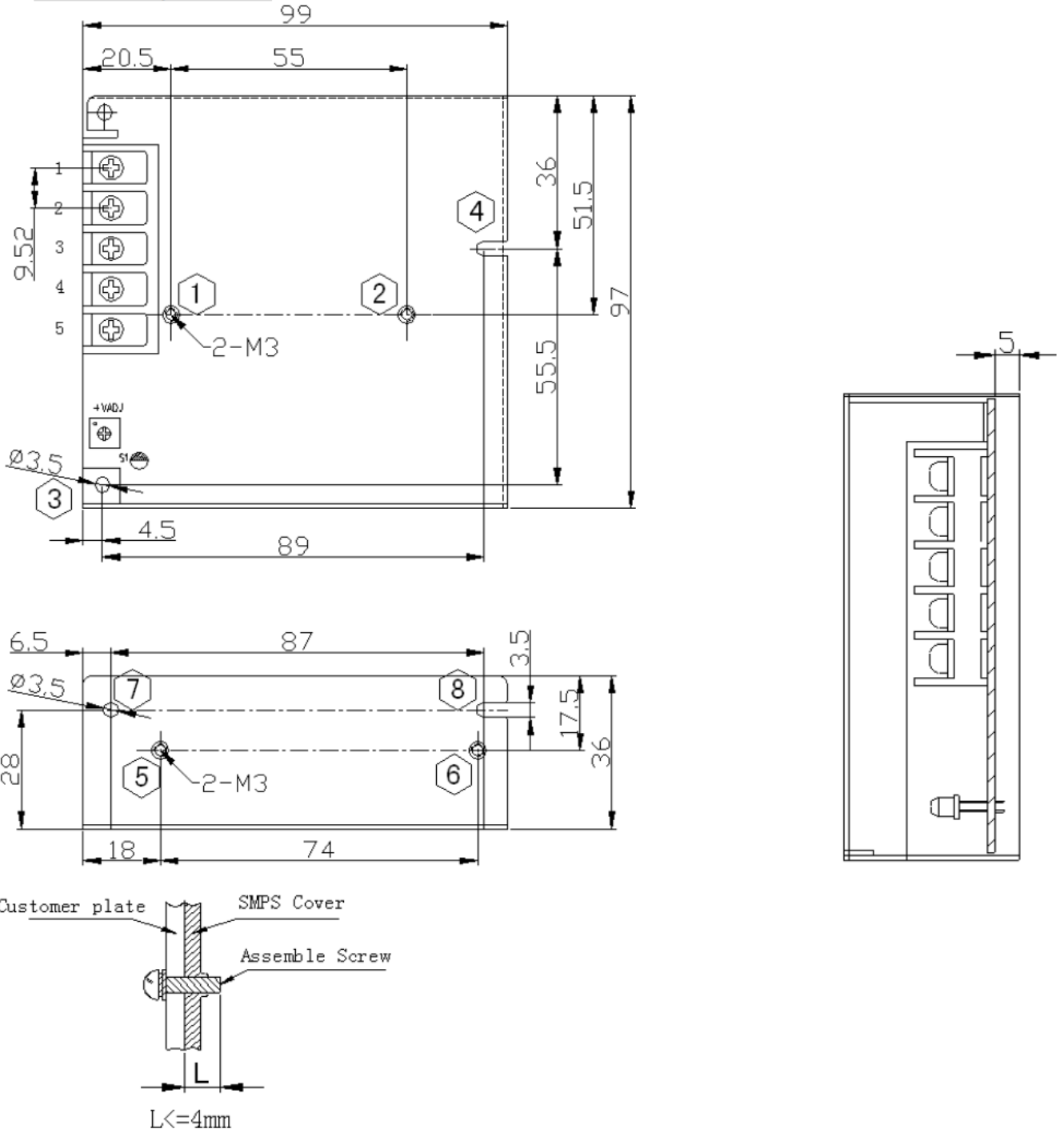
Features:

- No Load power consumption<0.5W
- Universal AC input range(88~264Vac)
- High efficiency, long life and high reliability
- Withstand 300VA surge input for 5 sec.
- Output protections: OVP/OLP/SCP
- Wide operating ambient temp (-25°C~70°C)
- All using 105°C long life electrolytic capacitors.
- 100% full load burn-in test
- Suitable for critical applications
- 3 years warranty

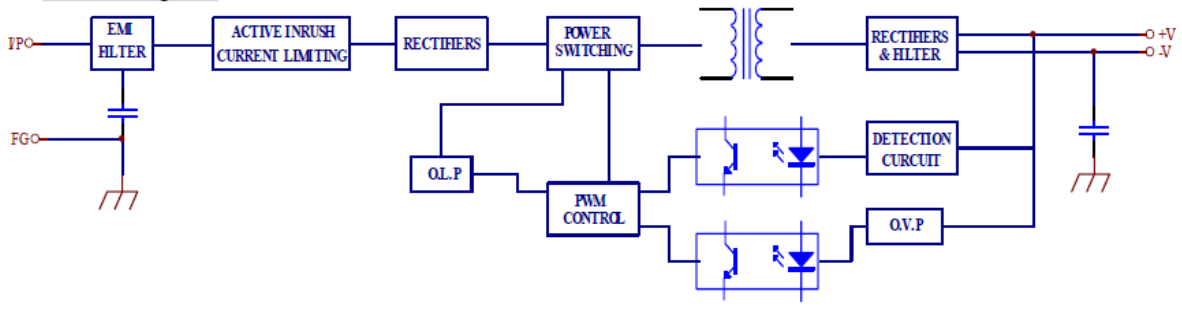
SPECIFICATION

MODEL		ABS-35-5	ABS-35-12	ABS-35-24	ABS-35-48
OUTPUT	DC Output	5V	12V	24V	48
	Rated Current	6A	3A	1.5A	0.76A
	Current Range	Note 1 0~6A	0~3A	0~1.5A	0~0.76A
	Ripple and Noise	0~70°C <50mV	<80mV	<120mV	<180mV
	Note 2	-20°C <120mV	<300mV	<200mV	<240mV
	Voltage ADJ. Range	4.75V-5.5V	11.4V-13.2V	22.8V-26.4V	45.6~52.8V
	Voltage Accuracy	±3.0%			
	Line Regulation	±0.5%			
	Load Regulation	±1.0%			
	Set-up Time	≤1S /230Vac input, Full load) ;			
	Hold up Time	≥10mS(120Vac input, Full load) ; ≥20mS(230Vac input, Full load)			
	Temperature Coefficient	±0.03%/°C			
Overshoot and Undershoot	<5.0%				
INPUT	Voltage Range	88Vac~264Vac			
	Frequency Range	47Hz~63Hz			
	Efficiency (Typical)	≥78%	≥81%	≥85%	≥86%
	AC Current (max.)	< 1.0 A			
	Inrush Current (Typical)	< 50A@264Vac max Cold start			
	Leakage Current	Input—output:<0.25mA		Input—PG:<3.5mA	
PROTECTION	Over Load	6.3~9A	3.15~4.5A	1.575~2.25A	0.798~1.14A
	Over voltage	5.5~7.5V	13.2~18V	26.4~36V	52.8~72V
		Protection type: Constant voltage, Auto recovery			
Shorted Circuit	Long-term mode, auto recovery				
ENVIRONMENT	Operating amb. Temp. & Hum.	-25°C~70°C; 20%~90%RH No condensing			
	Storage Temp. & Hum.	-40°C~85°C; 10%~95%RH No condensing			
SAFETY & EMC Note 3	Safety Standards	UL60950-1 2 nd Ed; IEC 60950-1:2005(2 nd Ed) ;EN60950-1:2006			
	Withstand Voltage	Primary-Secondary:3.0KVac; ≤10mA .Primary-PG:1.5KVac; ≤10mA. Secondary-PG:0.5KVDC; ≤10mA.			
	Isolation Resistance	≥100M ohms			
	EMC Emission	Compliance to EN55022 Class B			
	EMC Immunity	Compliance to EN61000-4-2,3,4,5,6,8,11;EN55024,EN61000-6-2 heavy industry level			
OTHERS	MTBF (MIL-HDBK-217F)	More than 200,000Hrs (25°C, Full load)			
	Dimension (L*W*H)	99×97×36mm			
	Packing	TBD			
	Cooling method	Cooling by free air convection			
NOTE	1. All parameters NOT specially mentioned are measured at rated input, rated load and 25°C of ambient temperature. 2. Measured at 20MHz of bandwidth by using a 12" twisted pair-wire terminated with a 0.1 uF & 10uF parallel capacitor. 3. The SPS is considered a component which will be installed into final equipment. The equipment must be re-confirmed that it still meets EMC directives. 4. Powerld offer accessories for Din-35 rail bar. Please contact sales staff for details.				

Mechanical Specification Unit: mm



Block Diagram



Derating Curve