

### Features:

- ✓ Universal AC input/ Full range
- ✓ **5V/12V/15V no load power consumption<0.5W**
- ✓ All series with **conformal coating**
- ✓ High Efficiency, and High reliability
- ✓ Output protections: OLP/OVP/SCP
- ✓ Wide operating ambient temperature (-20°C~70°C)
- ✓ All using 105°C long life electrolytic capacitors.
- ✓ 100% full load burn-in test
- ✓ 3 years warranty

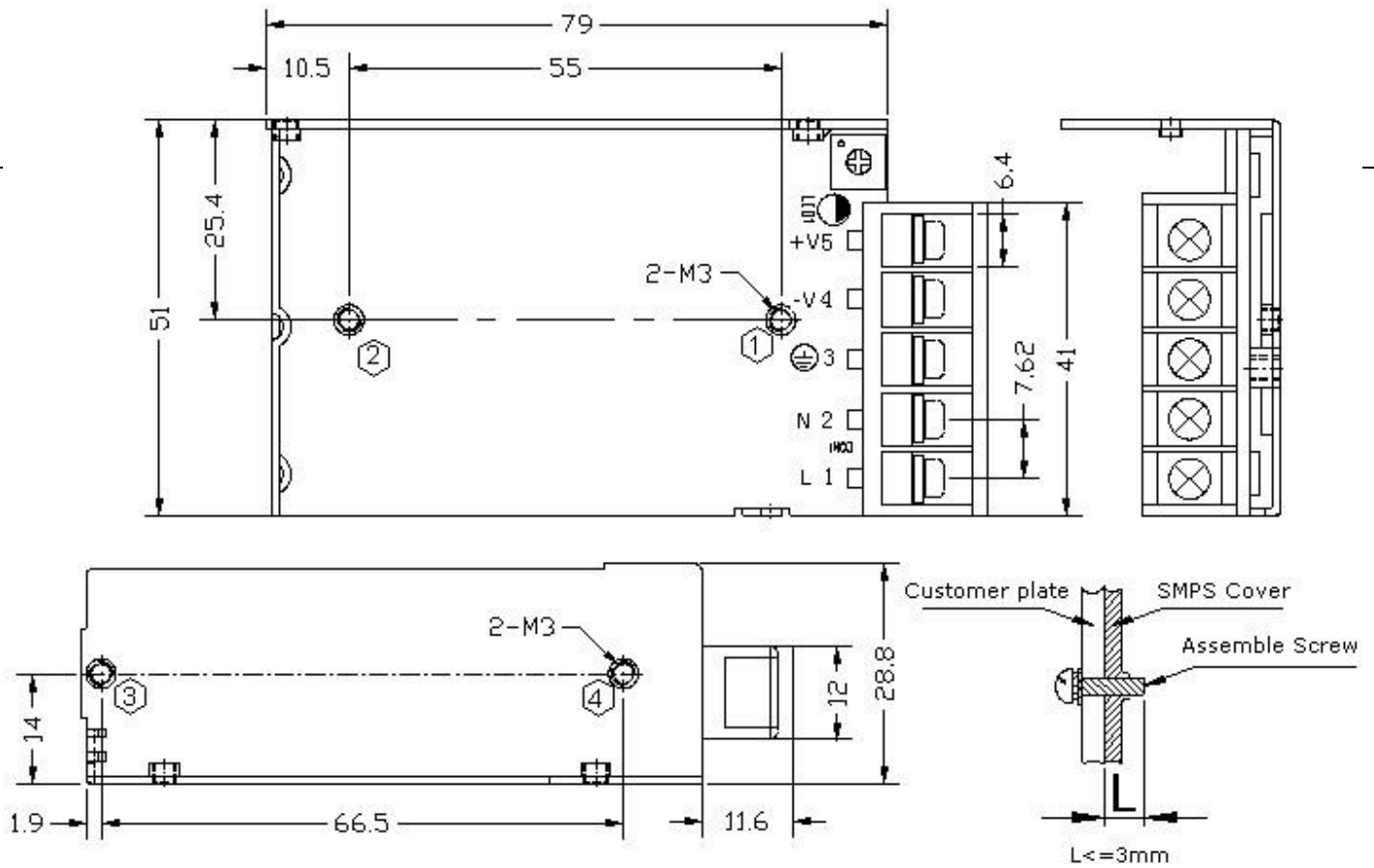


### SPECIFICATION

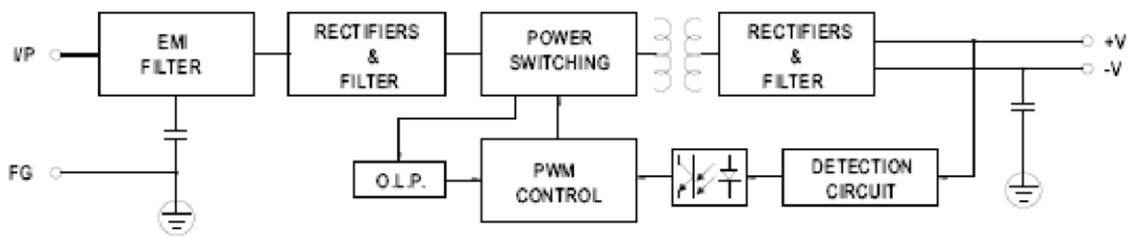
MODEL		PD-15-3.3	PD-15-5	PD-15-12	PD-15-15	PD-15-24	
OUTPUT	DC Output	3.3V	5V	12V	15V	24V	
	Rated Current	4A	3A	1.3A	1A	0.7A	
	Current Range Note 1	0~4A	0~3A	0~1.3A	0~1.0A	0~0.7A	
	Ripple and Noise Note 2	-20~70°C <50mV	<50mV	<120mV	<120mV	<120mV	
	Voltage ADJ. Range	3.0~3.6V	4.4~5.5V	10.0~13.0V	13.8~16.1V	20.7~26.7V	
	Voltage Accuracy	±2.0%	±2.0%	±1.0%	±1.0%	±1.0%	
	Line Regulation	±0.5%	±0.5%	±0.5%	±0.5%	±0.5%	
	Load Regulation	±2.0%	±2.0%	±1.0%	±1.0%	±1.0%	
	Set-up Time	<2.0S (115Vac input, Full load); <1.0S (230Vac input, Full load)					
	Hold up Time	>10mS(115Vac input, Full load); >20mS(230Vac input, Full load)					
	Temperature Coefficient	±0.03%/°C					
	Overshoot and Undershoot	<5.0%					
INPUT	Voltage Range	88Vac~264Vac,124~370Vdc					
	Frequency Range	47Hz~63Hz					
	Efficiency ( Typical)	115Vac input	70%	76%	80%	82%	84%
		230Vac input	71%	78%	82%	83%	85%
	AC Current (max.)	0.7A	0.7A	0.7A	0.7A	0.7A	
	Inrush Current (Typical)	20A@115Vac 40A@230Vac Cold start					
Leakage Current	Input—output:<0.25mA Input—PG:<3.5mA						
PROTECTION	Over Load	105%~150% of rated output current, Hiccup mode,auto recovery					
	Over Voltage	105%~150% of rated output voltage, Constant Voltage					
	Shorted Circuit	Long-term mode, auto recovery					
ENVIRONMENT	Operating amb. Temp. & Hum.	-20°C~70°C; 20%~90%RH No condensing					
	Storage Temp. & Hum.	-40°C~85°C; 10%~95%RH No condensing					
SAFETY & EMC Note 3	Safety Standards	UL60950-1; EN60950-1: 2006					
	Withstand Voltage	Primary-Secondary:3.0KVac; ≤10mA .Primary-PG:1.5KVac; ≤10mA. Secondary-PG:0.5KVDC; ≤10mA.					
	Isolation Resistance	≥100M ohms					
	EMI Conduction&Radiation	Compliance to EN55022(CISPR22) ClassB					
	Harmonic Current	Compliance to EN61000-3-2,-3					
	EMS Immunity	Compliance to EN61000-4-2,3,4,5,6,8,11;ENV50204,light industry level,criteriaA					
OTHERS	MTBF (MIL-HDBK-217F)	More than 200,000Hrs (25°C, Full load)					
	Dimension (L*W*H)	79×51×28mm					
	Packing	8PCS/CTN, 10.4KGS, 0.03CBM					
	Cooling method	Cooling by free air convection					
NOTE	<ol style="list-style-type: none"> <li>All parameters NOT specially mentioned are measured at rated input, rated load and 25°C of ambient temperature.</li> <li>Measured at 20MHz of bandwidth by using a 12" twisted pair-wire terminated with a 0.1 uF &amp; 47uF parallel capacitor.</li> <li>The SPS is considered a component which will be installed into final equipment. The equipment must be re-confirmed that it still meets EMC directives.</li> </ol>						

④ Mechanical Specification

Unit: mm



④ Block Diagram



④ Derating Curve

