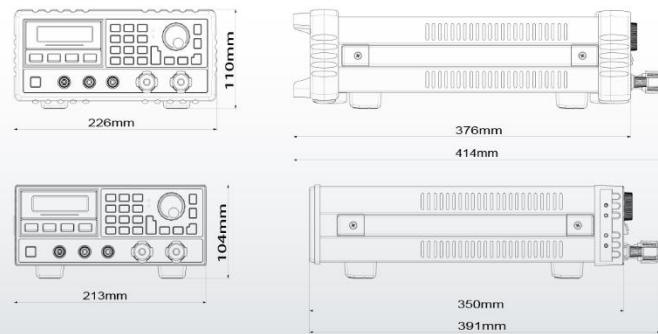




## 3662A/3663A/3664A Specifications

Model		3662A	3663A	3664A
Output Ratings	Voltage	0~35V	0~80V	0~120V
	Current	0~14.5A	0~6.5A	0~4.2A
Ripple and Noise (20 Hz to 20 MHz)	Voltage	<3mV rms <10mV p-p	<5mV rms <14mV p-p	<8mV rms <18mV p-p
	Current	<2mA rms	<500uA rms	<500uA rms
Common Mode Current		1.5mA rms	1.5mA rms	1.5mA rms
Load Regulation	Voltage	<0.01%+2mV	<0.01%+2mV	<0.01%+2mV
	Current	<0.01%+1mA	<0.01%+1mA	<0.01%+1mA
Line Regulation	Voltage	<0.01%+2mV	<0.01%+2mV	<0.01%+2mV
	Current	<0.01%+1mA	<0.01%+1mA	<0.01%+1mA
Programming Accuracy	Voltage	0.1%+5mV	0.05%+20mV	0.05%+20mV
	Current	0.2%+10mA	0.15%+4mA	0.15%+4mA
Readback Accuracy	Voltage	0.1%+5mV	0.05%+10mV	0.05%+10mV
	Current	0.2%+10mA	0.15%+4mA	0.15%+4mA
Programming Resolution	Voltage	1mV	1mV	2mV
	Current	1mA	1mA	1mA
Readback Resolution	Voltage	0.5mV	1mV	1mV
	Current	1mA	1mA	1mA
Meter Resolution	Voltage	1mV	10mV	10mV
	Current	1mA	1mA	1mA
Output Programming Range (maximum programmable values)	Voltage	0~35.2 V	0~80.2 V	0~120.2 V
	Current	0~14.5A	0~6.5A	0~4.2A
Temperature Coefficient, ± (% of output + offset)	Voltage	0.01% + 2mV	0.01% + 3mV	0.01% + 3mV
	Current	0.02% + 3mA	0.02% + 0.5mA	0.02% + 0.5mA
Stability, ± (% of output + offset)	Voltage	0.03% + 1 mV	0.02% + 2 mV	0.02% + 2 mV
	Current	0.1% + 3 mA	0.05% + 1 mA	0.05% + 1 mA

Model		3662A	3663A	3664A
Output Voltage Programming Response Time	Full load up	11 msec	50 msec	50 msec
	Full load down	13 msec	45 msec	45 msec
	No load up	10 msec	20 msec	20 msec
	No load down	10 msec	10 msec	10 msec
Power Supply		AC100V-240V	47Hz~63Hz	750VA Max
Operating Temperature		0~40 C	0~80%RH	
Cooling		Fan Cooled		
Output Voltage Overshoot		Less than 1V		
Programming Language		SCPI (Standard Commands for Programmable Instruments)		
Net Weight		5.5kg		
Remote Interface		RS232(Standard), GPIB(Optional)		



Distributor Information:

Specifications are subject to change without notice due to design improvements

# 3662A/3663A/3664A

## Programmable Switching DC Power Supply

### Low Noise Series

- Provides CV and CC operating modes, switching automatically
- The output voltage and output current are continuously adjustable from 0 to the maximum rating values
- The maximum rating current can be achieved at 10mV. Equipped with SENSE terminals to compensate for the line loss
- High power factor, high efficiency, wide line voltage range as well as low output ripple and noise
- Multi-group setting parameters storage and recall
- Robust, compact and convenient
- SCPI (Standard Commands for Programmable Instruments) compatibility
- Reliable input/output protections guarantee the effective operation in severe environment



Tel: 03-90 22 500 Fax: 03-90 22 400  
 Web: [www.avivenergy.co.il](http://www.avivenergy.co.il) Email: [nrg@avivenergy.co.il](mailto:nrg@avivenergy.co.il)

פיתוח ושיווק מערכות הספק  
 פננט ומגוול סהרנבע טספול